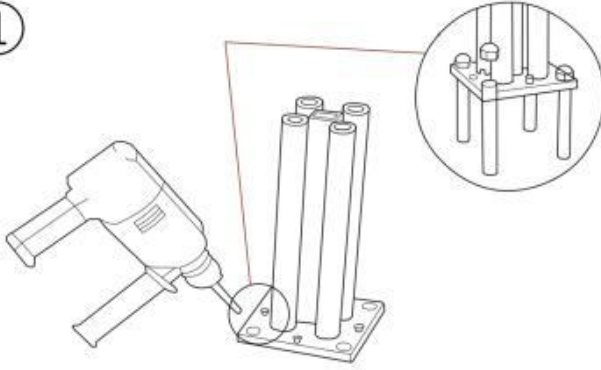




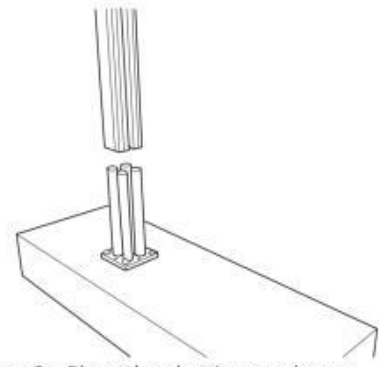
SENLAI

①



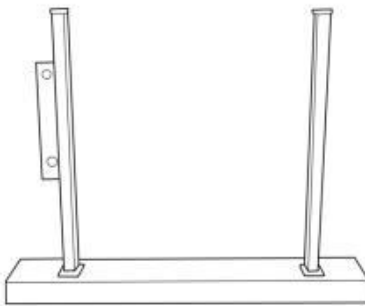
Step 1: Determine the installation location, and then drill some holes with a diameter of $\varnothing 12\text{mm}$, Secure the plate with the screw heads provided.

②



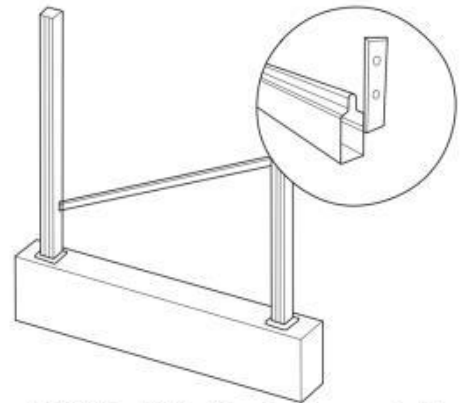
Step 2: Place the aluminum columns in the steel brackets. Use horizontal lines to adjust columns.

③



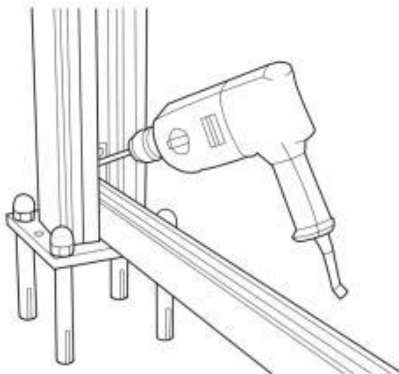
Step 3: Lay the frame first.

④



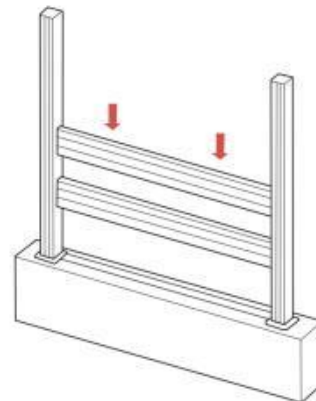
Step 4: Put the kit into the aluminum post slot.

⑤



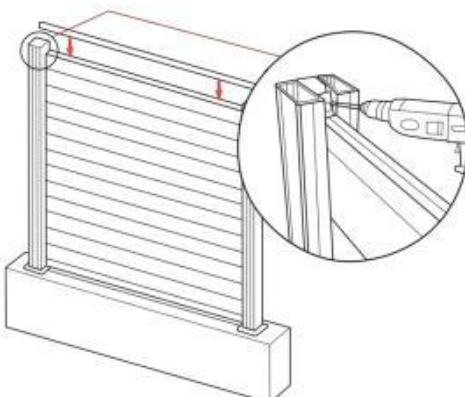
Step 5: Put the lower rail between the uprights and fix it with screws (M4x19 screws) Certainly.

⑥



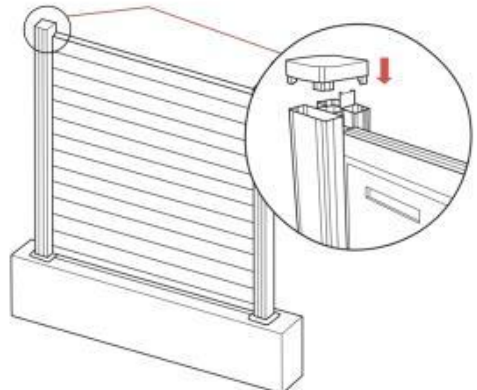
Step 6: Insert the fence panels into the slots of the columns in turn.

⑦



Step 7: Place the top rail between the posts and tighten.

⑧



Step 8: Insert the small finished piece, then cover the post with a plastic cap.